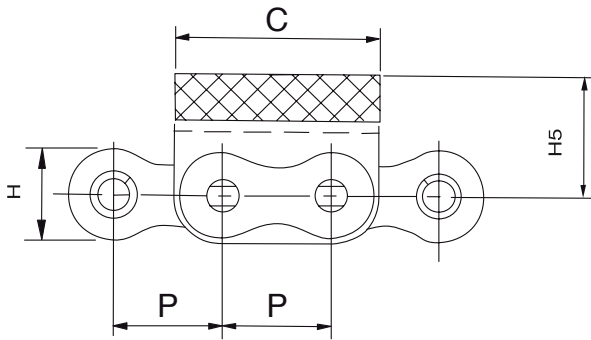
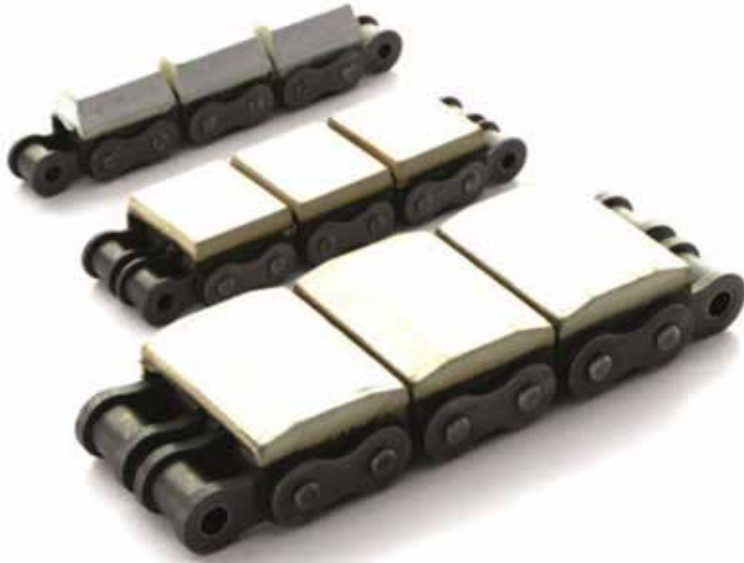


Üstü Kauçuklu Zincirler

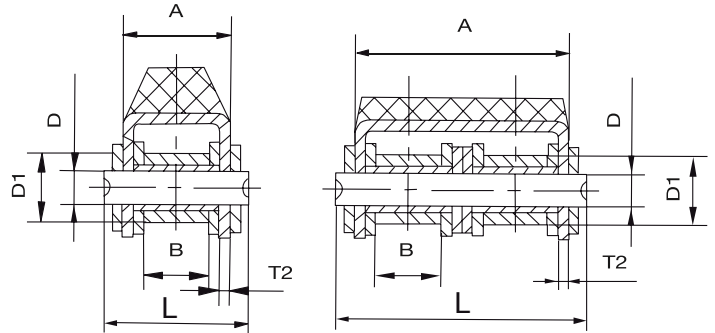
Roller chains

with rubber blocks



G-1 Type

G-2 Type



Reference	Pitch	Inner width	Roller diameter	Pln dimensions			Plate and rubber blocks dimensions				Breaking load	Weight per meter
DIN/ISO	P	B min	D1 max	D max	L max	H max	A	C	H5	T2	Q min	q
	mm	mm	mm	mm	mm	mm	mm	mm	mm	mm	KN	Kg/m
08B-G1	12,70	7,75	8,51	4,45	20,0	11,8	14,6	24,2	12,3	1,60	18,0	1,19
08B-G2	12,70	7,75	8,51	4,45	34,3	11,8	28,4	24,2	12,3	1,50	32,0	2,07
10B-G1	15,875	9,65	10,16	5,08	23,2	14,7	16,8	30,0	17,0	1,70	22,4	1,62
10B-G2	15,875	9,65	10,16	5,08	39,7	14,7	33,3	30,0	17,0	1,70	44,5	2,56
12B-G1	19,05	11,68	12,07	5,72	25,7	16,0	19,6	36,0	21,0	1,85	29,0	2,01
12B-G2	19,05	11,68	12,07	5,72	45,3	16,0	39,1	36,0	16,0	1,85	57,8	3,21
16B-G1	25,40	17,02	15,88	8,28	39,7	21,0	29,1	49,0	21,4	1,60	58,0	3,83
16B-G2	25,40	17,02	15,88	8,28	71,58	21,0	61,0	49,0	21,4	1,60	116,0	7,32
16A-G1	25,40	15,75	15,88	7,92	37,2	24,0	27,5	46,0	20,0	2,42	42,0	3,97
20B-G1	31,75	19,56	19,05	10,19	48,0	26,4	36,0	57,0	27,0	3,50	85,0	6,19
24B-G1	38,10	25,40	25,40	14,63	61,6	33,2	47,0	72,6	34,0	4,50	160,0	11,25